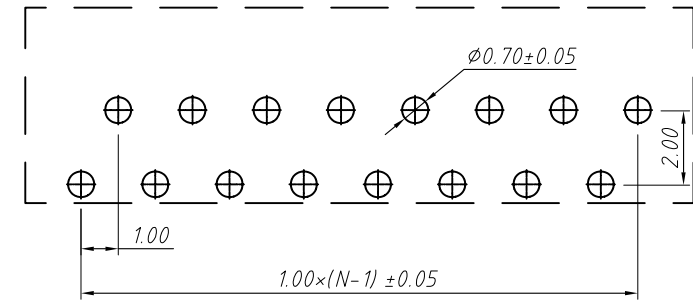
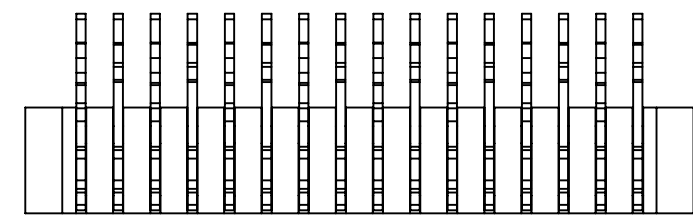
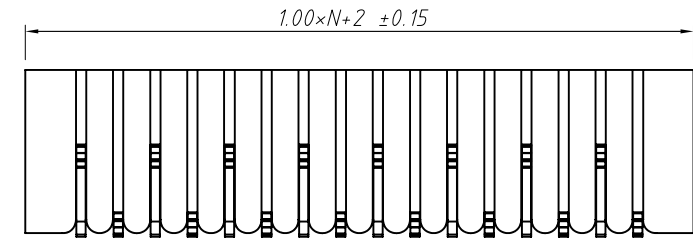
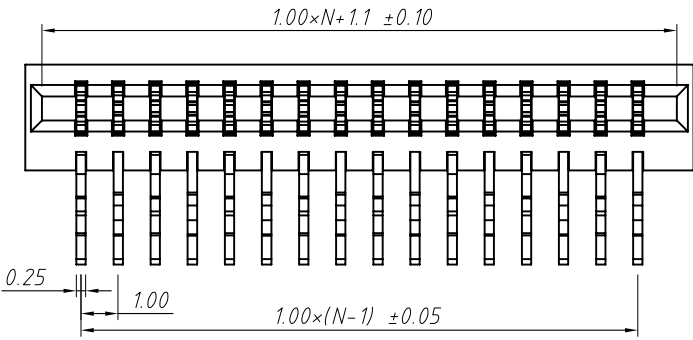
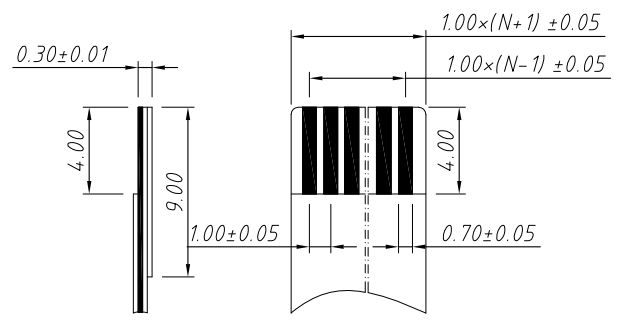
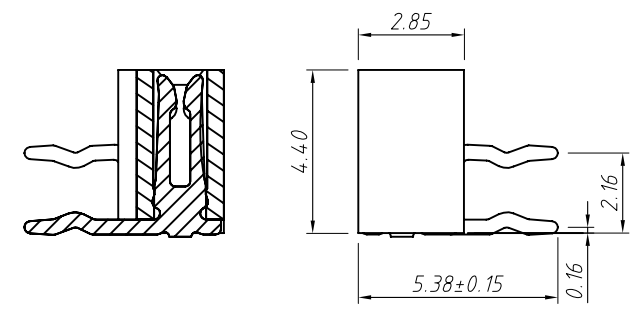


RoHS Compliant



PCB Layout



Proper Cable

**Material**  
Housing:LCP, UL94V-0  
Contact:Phosphor Bronze, Tin plated

**Electrical**  
Voltage rating: 50 V  
Current Rating: 0.5 A  
Withstanding Voltage: 500 V  
Insulation resistance: 800MΩ.Min.  
Contact resistance: 30 mΩ.Max.

**Mechanical**  
Temp. Range: -25 °C ~ + 85 °C

**Order Information**  
L-KLS1- 240B - XX -R-B-P T

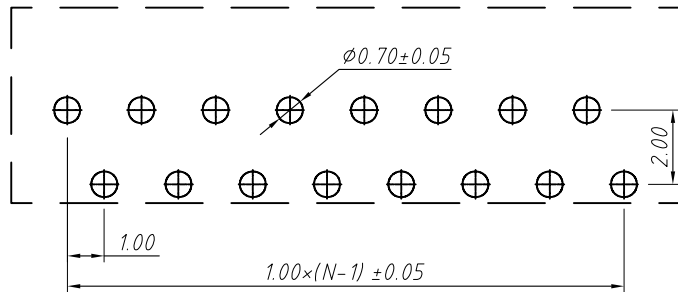
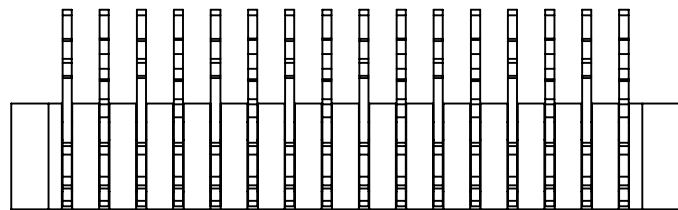
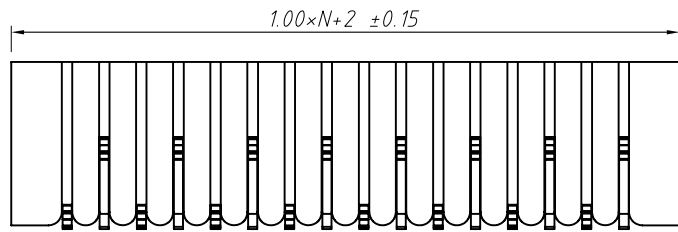
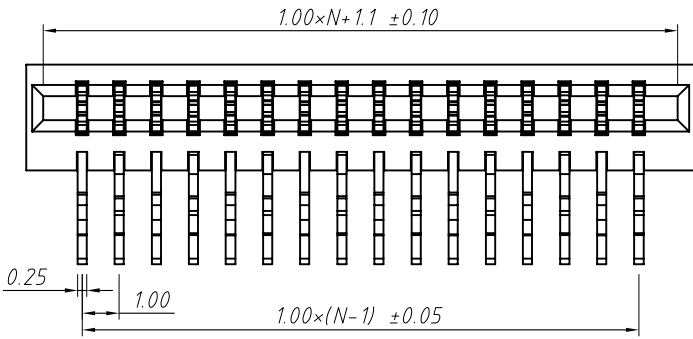
RoHS  
Series No.  
No.of pins(04 ~35 pins)  
R-Right Angle Pin  
B-Color:Black  
P- Positive needle  
Packing: T-Tube

GENERAL TOLERANCE		ANGLE TOLERANCE		PROJECTION		Description:	
X.	±0.15	X.	±5°	UNITS	mm	CONN FFC 1.00mm,Positive needle, THR, 90°	
.X	±0.03	.X	±3°	SHEET SIZE	A4		
.XX	±0.05	.XX	±2°	KLS P/N:			
						L-KLS1-240B-XX-R-B-PT	

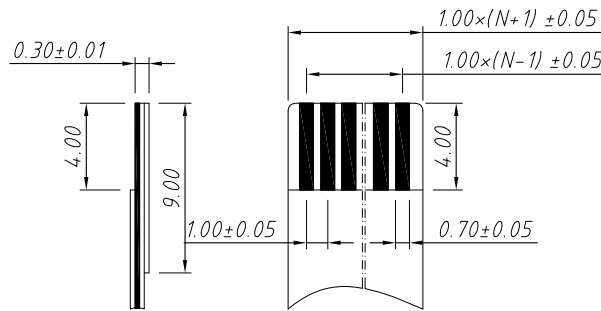
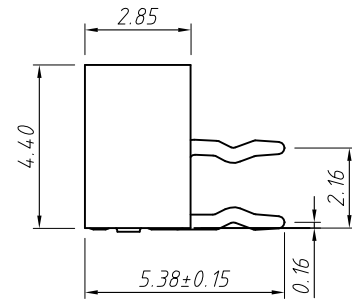
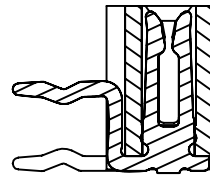
Draw by: Date 2018-03-10  
Check by: Date 2018-03-10  
SCALE SHEET OF

**KLS** NingBo KLS ELECTRONIC CO.,LTD.

RoHS Compliant



PCB Layout



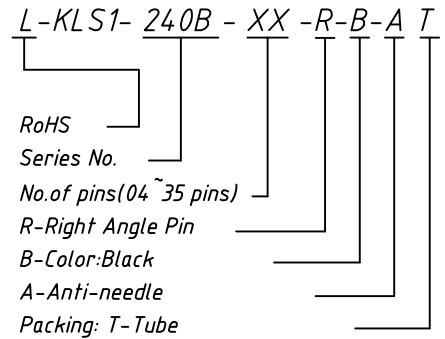
Proper Cable

**Material**  
Housing: LCP, UL94V-0  
Contact: Phosphor Bronze, Tin plated

**Electrical**  
Voltage rating: 50 V  
Current Rating: 0.5 A  
Withstanding Voltage: 500 V  
Insulation resistance: 800M $\Omega$ .Min.  
Contact resistance: 30 m $\Omega$ .Max.

**Mechanical**  
Temp. Range: -25 °C ~ +85 °C

**Order Information**



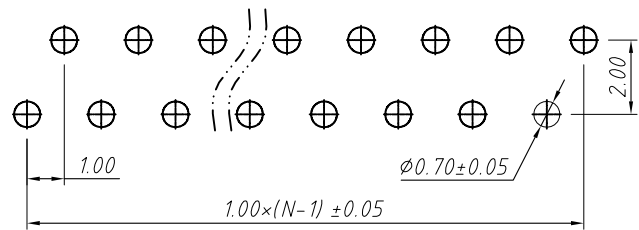
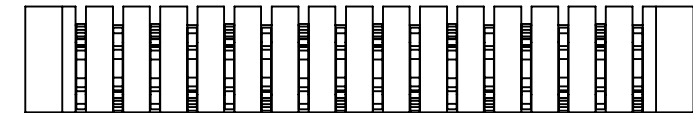
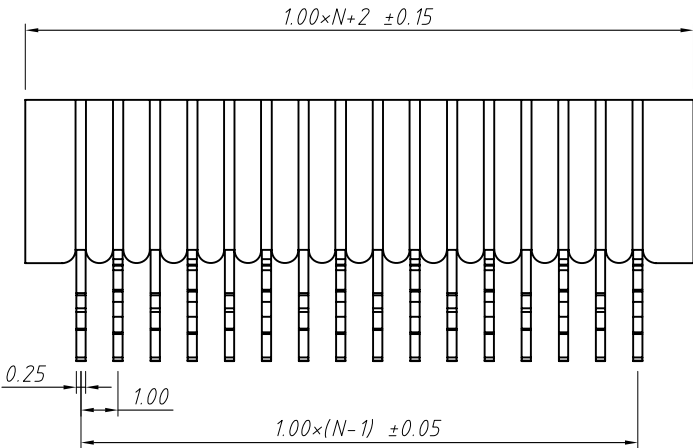
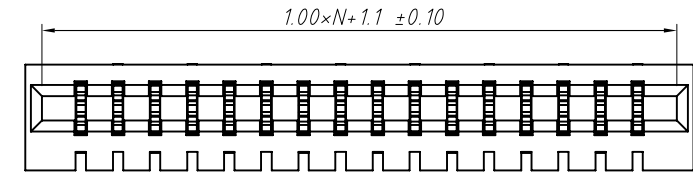
GENERAL TOLERANCE		ANGLE TOLERANCE		PROJECTION		Description:	
X	±0.15	X	±5°	UNITS	mm	CONN FFC 1.00mm, Anti-needle, THR, 90°	
.X	±0.03	.X	±3°	SHEET SIZE	A4		
.XX	±0.05	.XX	±2°	KLS P/N:			
						L-KLS1-240B-XX-R-B-AT	

Draw by: Date	2018-03-10		
Check by: Date	2018-03-10		
SCALE	SHEET	OF	

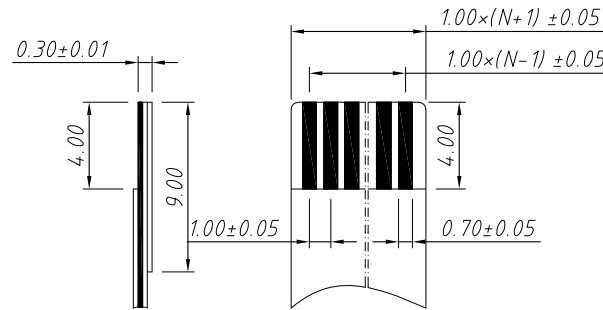
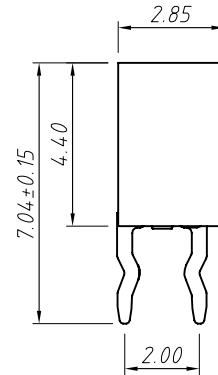
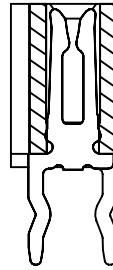


NingBo KLS ELECTRONIC CO.,LTD.

RoHS Compliant



PCB Layout



Proper Cable

Material  
Housing: LCP, UL94V-0  
Contact: Phosphor Bronze, Tin plated

Electrical  
Voltage rating: 50 V  
Current Rating: 0.5 A  
Withstanding Voltage: 500 V  
Insulation resistance: 800MΩ.Min.  
Contact resistance: 30 mΩ.Max.

Mechanical  
Temp. Range: -25 °C ~ +85 °C

Order Information

L-KLS1- 240B - XX -S-B-P T

RoHS  
Series No.  
No. of pins (04 ~ 35 pins)  
S-Straight Pin  
B-Color: Black  
P- Positive needle  
Packing: T-Tube

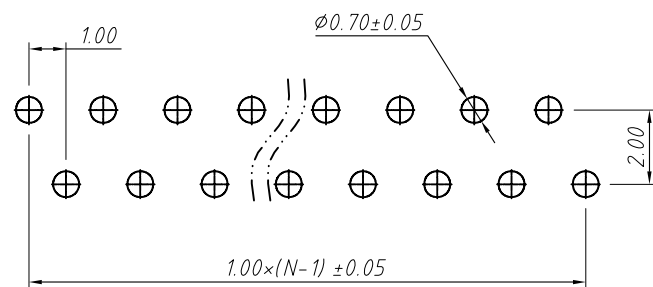
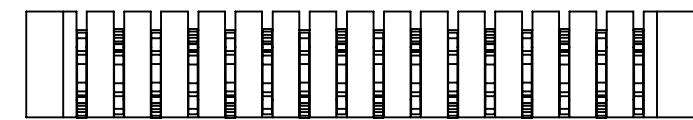
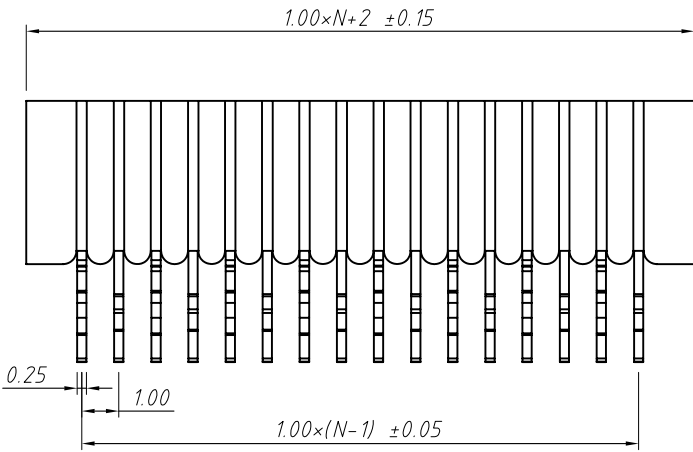
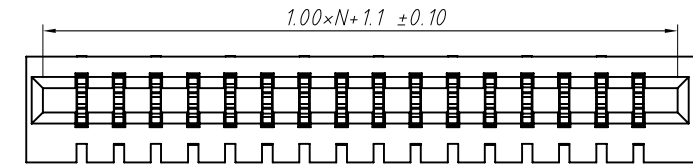
GENERAL TOLERANCE		ANGLE TOLERANCE		PROJECTION		Description:	
X	±0.15	X	±5°	UNITS	mm	CONN FFC 1.00mm, Positive needle, THR, 180°	
.X	±0.03	.X	±3°	SHEET SIZE	A4		
.XX	±0.05	.XX	±2°	KLS P/N:			
						L-KLS1-240B-XX-S-B-PT	

Draw by: Date 2018-03-10  
Check by: Date 2018-03-10  
SCALE SHEET OF

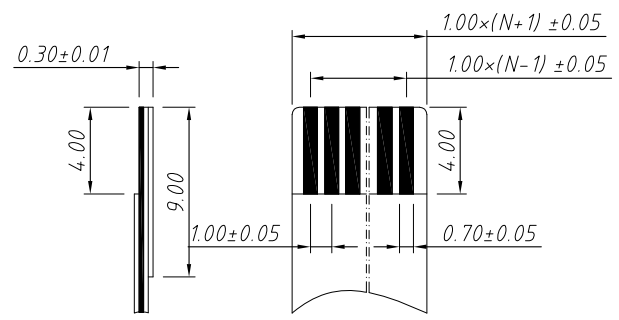
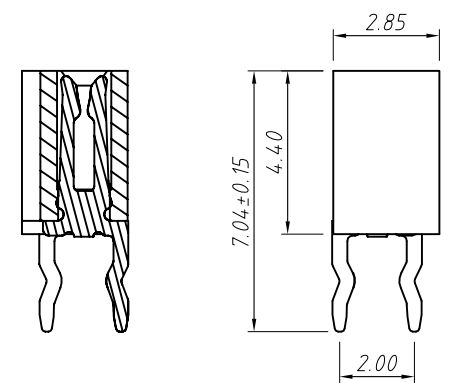


NingBo KLS ELECTRONIC CO.,LTD.

RoHS Compliant



PCB Layout



Proper Cable

**Material**  
Housing: LCP, UL94V-0  
Contact: Phosphor Bronze, Tin plated

**Electrical**  
Voltage rating: 50 V  
Current Rating: 0.5 A  
Withstanding Voltage: 500 V  
Insulation resistance: 800MΩ.Min.  
Contact resistance: 30 mΩ.Max.

**Mechanical**  
Temp. Range: -25 °C ~ +85 °C

**Order Information**  
L-KLS1- 240B - XX -S-B-A T

RoHS  
Series No.  
No. of pins (04 ~ 35 pins)  
S-Straight Pin  
B-Color: Black  
A-Anti-needle  
Packing: T-Tube

GENERAL TOLERANCE		ANGLE TOLERANCE		PROJECTION	Description:	
.X	±0.15	.X	±5°	UNITS	CONN FFC 1.00mm, Anti-needle, THR, 180°	
.X	±0.03	.X	±3°	SHEET SIZE		A4
.XX	±0.05	.XX	±2°	KLS P/N:		L-KLS1-240B-XX-S-B-AT

Draw by: Date 2018-03-10  
Check by: Date 2018-03-10  
SCALE SHEET OF

**KLS**  
NingBo KLS ELECTRONIC CO.,LTD.

RoHS Compliant

Material  
 Housing: LCP, UL94V-0  
 Contact: Phosphor Bronze, Tin plated

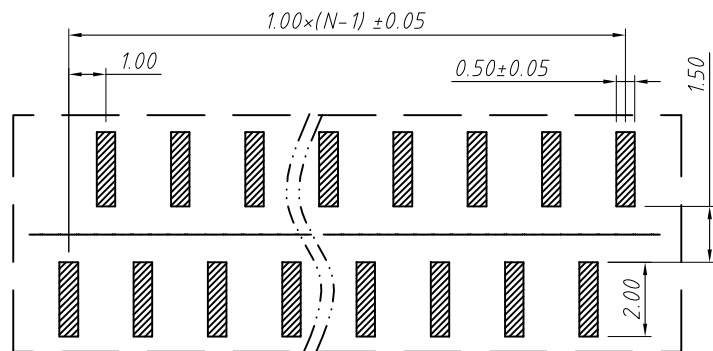
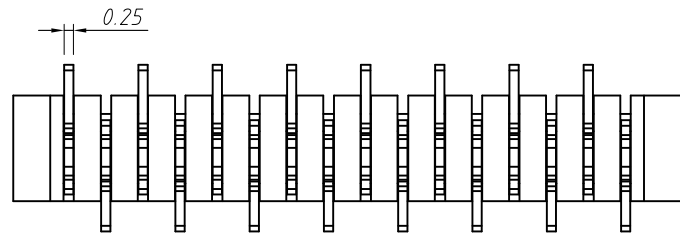
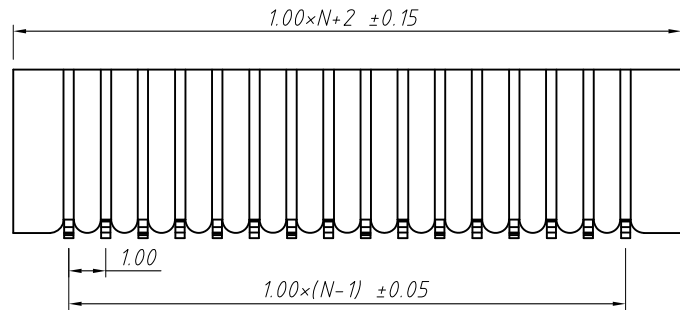
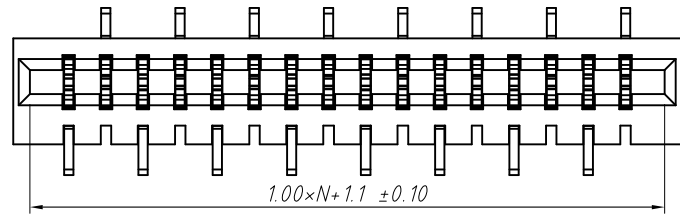
Electrical  
 Voltage rating: 50 V  
 Current Rating: 0.5 A  
 Withstanding Voltage: 500 V  
 Insulation resistance: 800M $\Omega$ .Min.  
 Contact resistance: 30 m $\Omega$ .Max.

Mechanical  
 Temp. Range: -25 °C ~ +85 °C

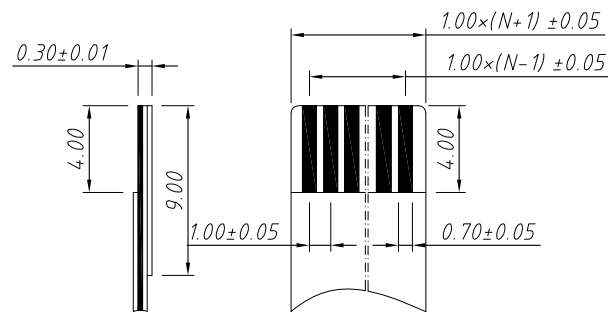
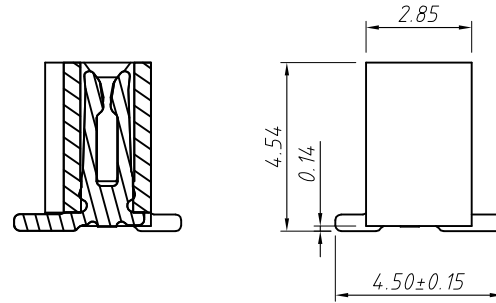
Order Information

L-KLS1- 240B - XX - T-B-P R

RoHS  
 Series No.  
 No. of pins (04 ~ 35 pins)  
 T-SMT Pin, Vertical  
 B-Color: Black  
 P- Positive needle  
 Packing: T-Tube R-Reel



PCB Layout



Proper Cable

GENERAL TOLERANCE		ANGLE TOLERANCE		PROJECTION		Description:	
X.	±0.15	X.	±5°	UNITS	mm	CONN FFC 1.00mm, SMD Vertical, Positive needle L-KLS1-240B-XX-T-B-PT	
.X	±0.03	.X	±3°	SHEET SIZE	A4		
.XX	±0.05	.XX	±2°	KLS P/N:			

Draw by: Date	2018-03-10
Check by: Date	2018-03-10
SCALE	SHEET OF



NingBo KLS ELECTRONIC CO.,LTD.

RoHS Compliant

**Material**  
 Housing: LCP, UL94V-0  
 Contact: Phosphor Bronze, Tin plated

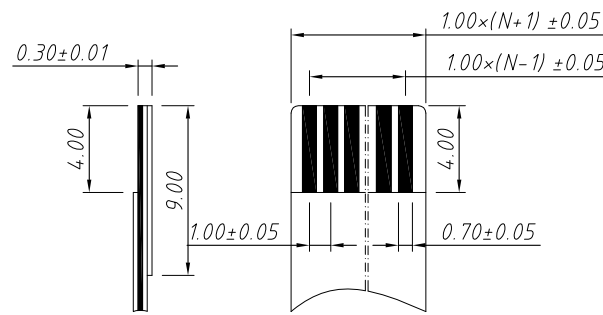
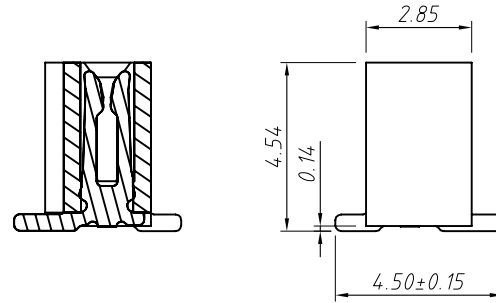
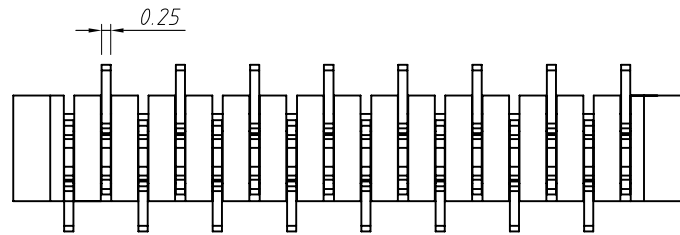
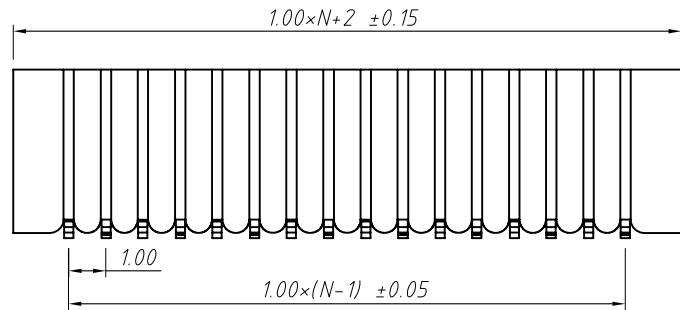
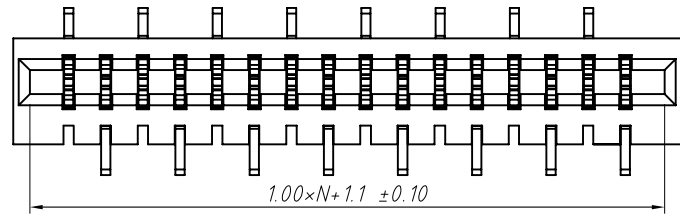
**Electrical**  
 Voltage rating: 50 V  
 Current Rating: 0.5 A  
 Withstanding Voltage: 500 V  
 Insulation resistance: 800M $\Omega$ .Min.  
 Contact resistance: 30 m $\Omega$ .Max.

**Mechanical**  
 Temp. Range: -25 °C ~ +85 °C

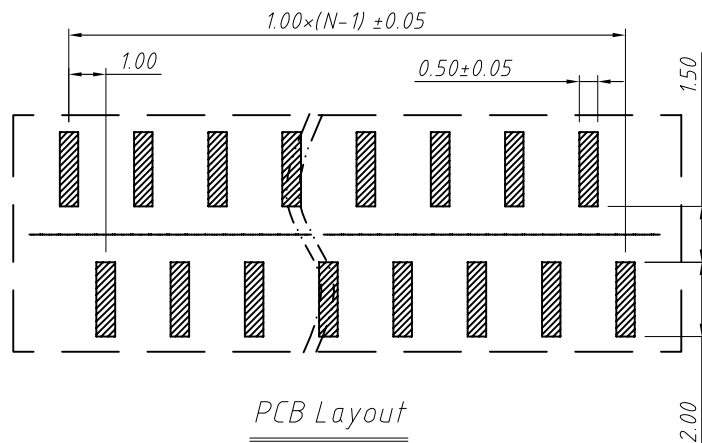
**Order Information**

L-KLS1- 240B - XX - T-B-A R

RoHS  
 Series No.  
 No. of pins (04 ~ 35 pins)  
 T-SMT Pin, Vertical  
 B-Color: Black  
 A-Anti-needle  
 Packing: T-Tube R-Reel



Proper Cable



GENERAL TOLERANCE		ANGLE TOLERANCE		PROJECTION		Description:	
X	±0.15	X	±5°	UNITS	mm	CONN FFC 1.00mm,	
.X	±0.03	.X	±3°	SHEET SIZE	A4	SMD Vertical, Anti-needle	
.XX	±0.05	.XX	±2°		KLS P/N:	L-KLS1-240B-XX-T-B-AT	

Draw by: Date	2018-03-10
Check by: Date	2018-03-10
SCALE	SHEET OF



NingBo KLS ELECTRONIC CO.,LTD.